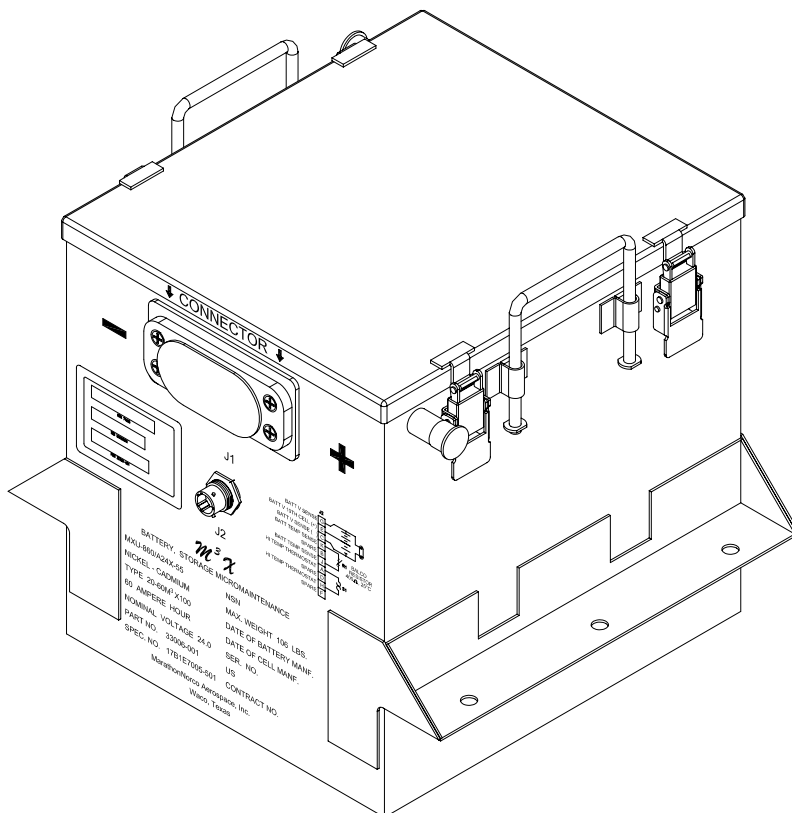




Nickel-Cadmium Aircraft Batteries

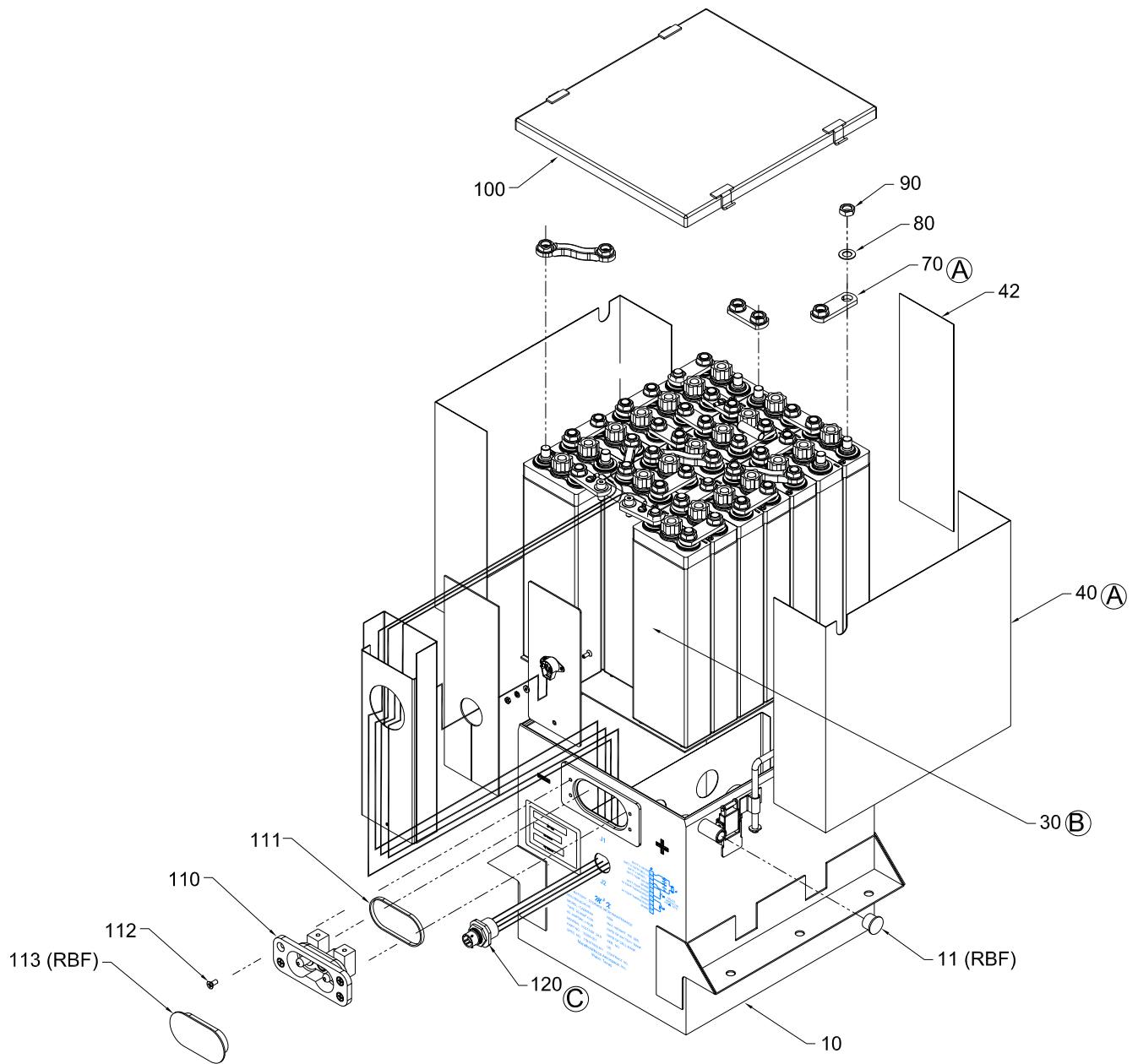
Model 20-60M³X100 Battery Replacement Parts



**MNAI
Released
Non-Controlled**

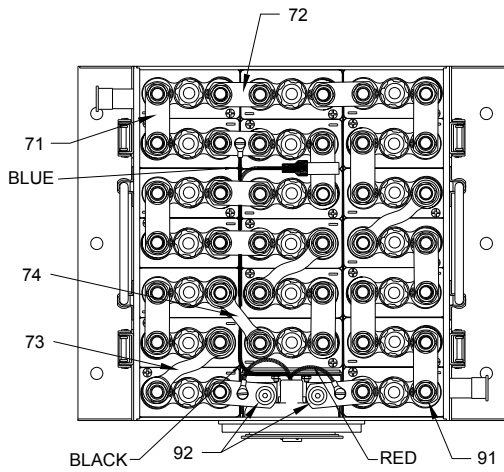
MarathonNorco Aerospace

PO Box 8233, Waco, Texas 76714-8233
8301 Imperial Dr., Waco, Texas 76712
Phone (254) 776-0650 / Fax (254) 776-6558

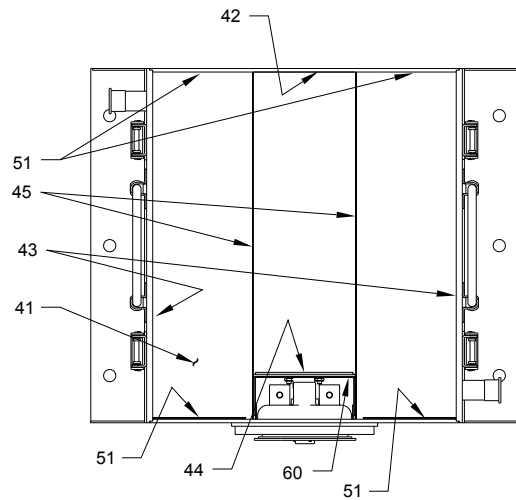


MarathonNorco Aerospace

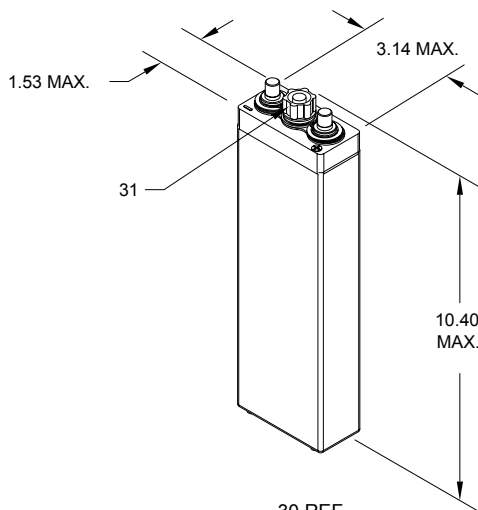
PO Box 8233, Waco, Texas 76714-8233
 8301 Imperial Dr., Waco, Texas 76712
 Phone (254) 776-0650 / Fax (254) 776-6558



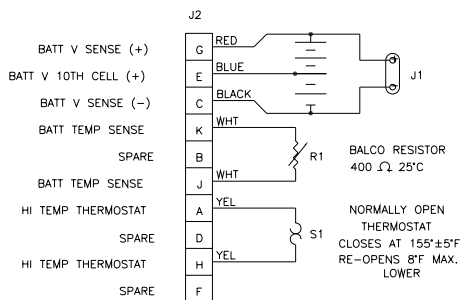
40-90 REF.
DETAIL A



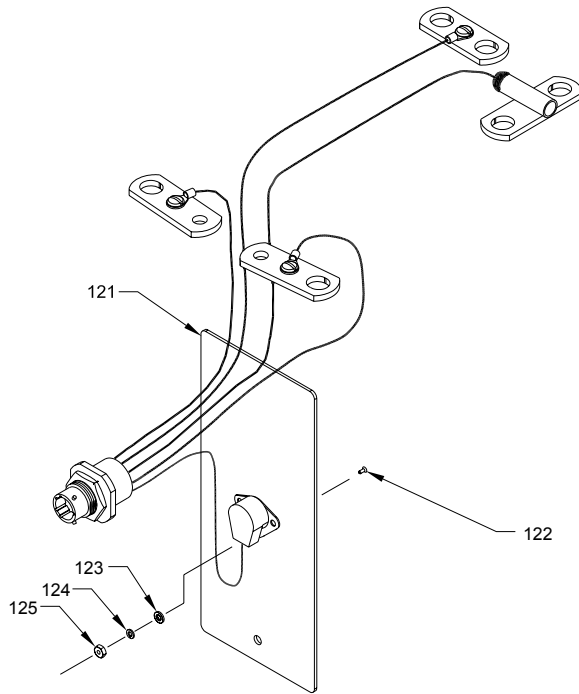
LINERS & SHIMS



30 REF.
DETAIL B



SCHEMATIC



120 REF
DETAIL C

ILLUSTRATED PARTS LIST

Figure item	Part Number	Nomenclature	Units Per Assy
1	33006-001	BATTERY, 20-60M ³ X100 NI-CD (33007-001)	1
10	40595-001	CAN ASSEMBLY, MARKED	1
11	16065-012	DUST CAP (RBF)	2
30	32999-001	CELL ASSEMBLY, 60M ³ X100 (33000-001)	20
31	16934-001	FILLER CAP ASSEMBLY	20
-40		LINERS	
41	32995-001	LINER, BOTTOM	1
42	32995-003	LINER, CENTER	1
43	32995-002	LINER, SIDE	2
44	32995-004	LINER, CENTER FRONT	1
45	32695-005	LINER, CENTER SIDE	2
-50		SHIMS	
51	9988-320	SHIM, 9.12 x 3.00 x .03	4
-60	33080-001	SPACER	1
-70		CONNECTORS	
71	32777-005	CONNECTOR	9
72	32777-006	CONNECTOR	4
73	32780-001	CONNECTOR	3
74	32780-003	CONNECTOR	1
-80		WASHERS	
81	16128-042	BELLEVILLE WASHER	40
82	16128-034	BELLEVILLE WASHER	2
-90		INTERCONNECTOR FASTENERS	
91	15111-094	NUT, HEX JAM, 3/8-16 CRES.	40
92	10488-011	SCREW, SOCKET HD. CAP 1/4-28 x 9/16	2
100	40587-001	ASSEMBLY, COVER MARKED	1
110	16163-023	ASSEMBLY RECEPTACLE	1
111	24583-001	RING, RECTANGULAR	1
112	23084-001	SCREW, FL.HD. SEMS 8-32 x 3/8	4
113	26916-008	COVER, INSULATOR M ³ (RBF)	1
120	33085-001	ASSEMBLY, HARNESS	1
121	32706-001	PLATE, THERMOSTAT	1
122	15925-008	SCREW, FLAT HD 6-32 x .25 LG.	2
123	18100-018	FLAT WASHER #6	2
124	6560-002	WASHER, LOCK #6	2
125	15111-035	NUT, HEX 6-32	2

RBF - REMOVE BEFORE FLIGHT



PO Box 8233, Waco, Texas 76714-8233
8301 Imperial Dr., Waco, Texas 76712
Phone (254) 776-0650 / Fax (254) 776-6558

IPL-1032