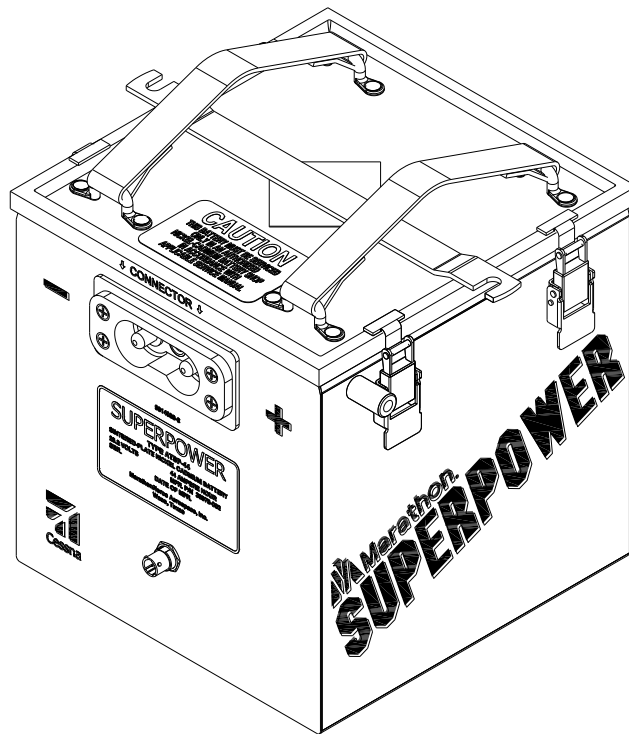




Nickel-Cadmium Aircraft Batteries

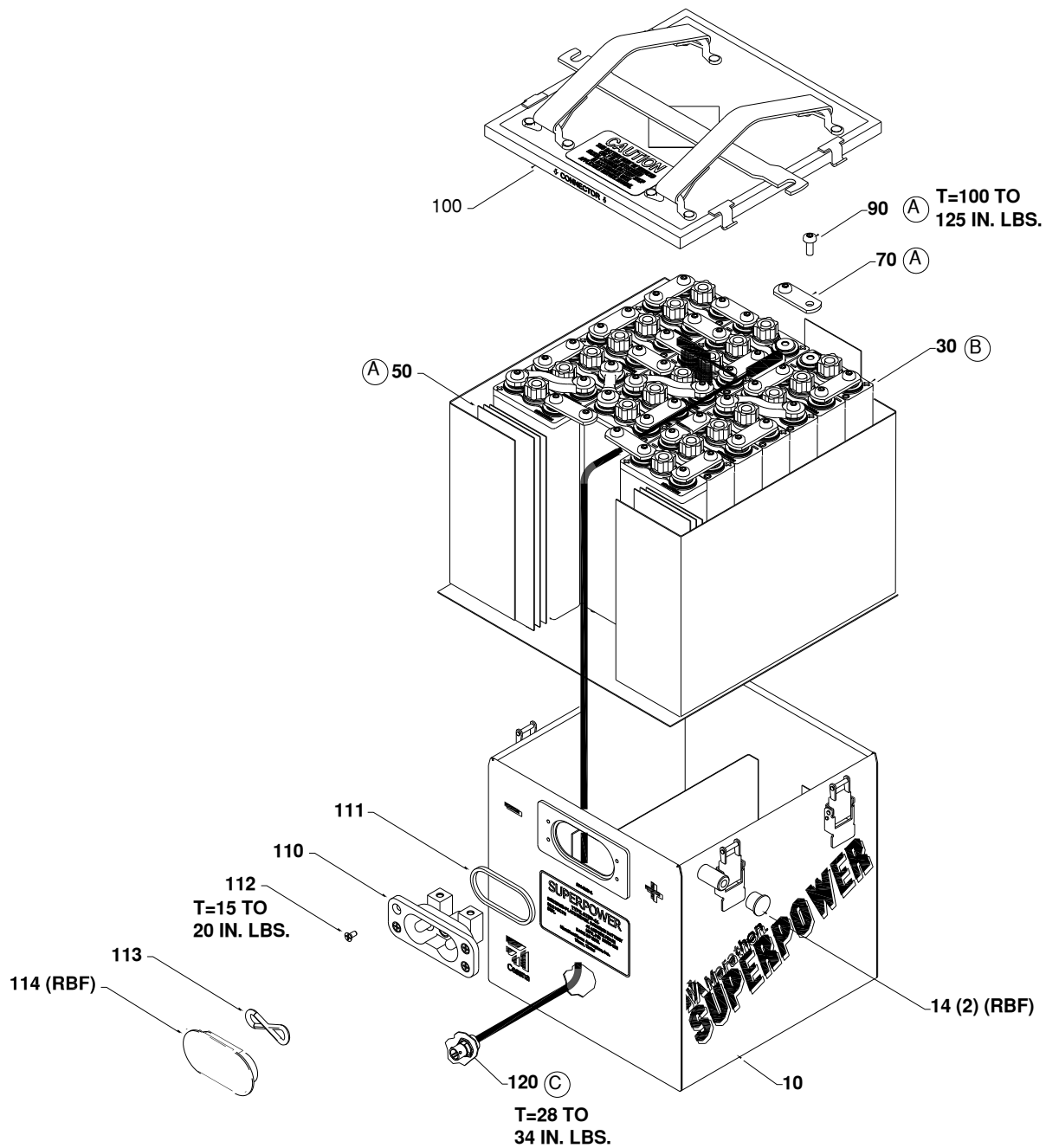
Model ATSP-44 (P/N 30978-002) Battery Replacement Parts



**MNAI
Released
02/19/2012
Non-Controlled**

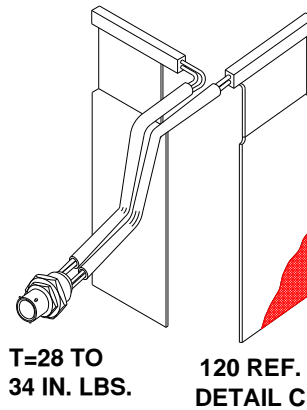
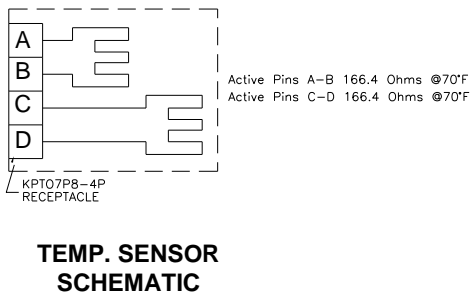
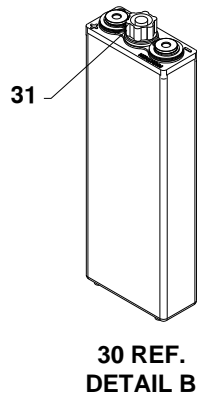
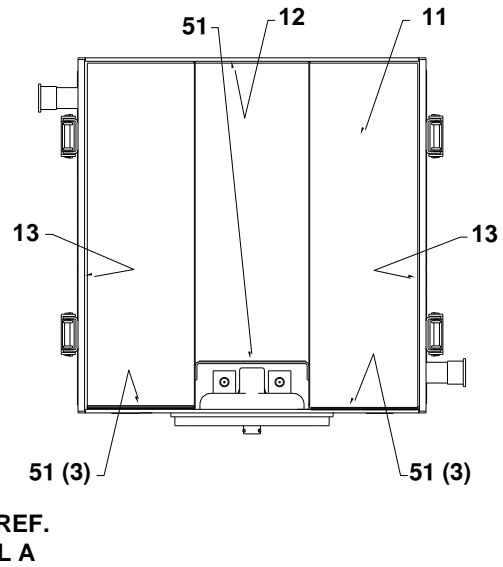
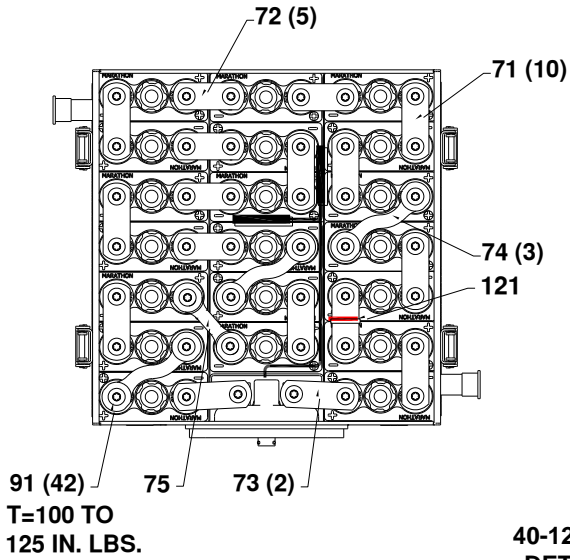
MarathonNorco Aerospace

PO Box 8233, Waco, Texas 76714-8233
8301 Imperial Dr., Waco, Texas 76712
Phone (254) 776-0650 / Fax (254) 776-6558



MarathonNorco Aerospace

PO Box 8233, Waco, Texas 76714-8233
 8301 Imperial Dr., Waco, Texas 76712
 Phone (254) 776-0650 / Fax (254) 776-6558



ILLUSTRATED PARTS LIST

Figure item	Part Number	Nomenclature	Units Per Assy
1	30978-002	BATTERY, 20-44SP100 ATSP-44	1
10	40330-001	CAN ASSEMBLY, MARKED	1
11	9988-249	LINER, BOTTOM	1
12	9988-239	LINER, MIDDLE	1
13	9988-248	LINER, SIDE	2
14	16065-012	DUST CAP (RBF)	2
30	31004-04C	CELL ASSEMBLY, 44SP100	20
31	16934-001	FILLER CAP ASSEMBLY	20
-40		LINERS	
-50		SHIMS	
51	9988-209	SHIM	7
-60		SPACER	
-70		CONNECTORS	
71	16102-131	CONNECTOR	10
72	16102-187	CONNECTOR	5
73	16102-172	CONNECTOR	2
74	16167-006	CONNECTOR	3
75	16167-007	CONNECTOR	1
-80		WASHERS	
-90		INTERCONNECTOR FASTENERS	
91	30877-002	SCREW, SEMS, TORX DRIVE	42
100	40325-002	ASSEMBLY, COVER MARKED	1
110	16163-023	ASSEMBLY RECEPTACLE	1
111	24583-001	RING, RECTANGULAR	1
112	23084-001	SCREW, FL.HD. SEMS	4
113	25908-001	SPRING, SHORTOUT (RBF)	1
114	26916-004	COVER, PROTECTIVE (RBF)	1
120	29783-003	ASSEMBLY, TEMPERATURE SENSOR	1
121	29247-001	CABLE, TIE	1

RBF - REMOVE BEFORE FLIGHT



PO Box 8233, Waco, Texas 76714-8233
 8301 Imperial Dr., Waco, Texas 76712
 Phone (254) 776-0650 / Fax (254) 776-6558