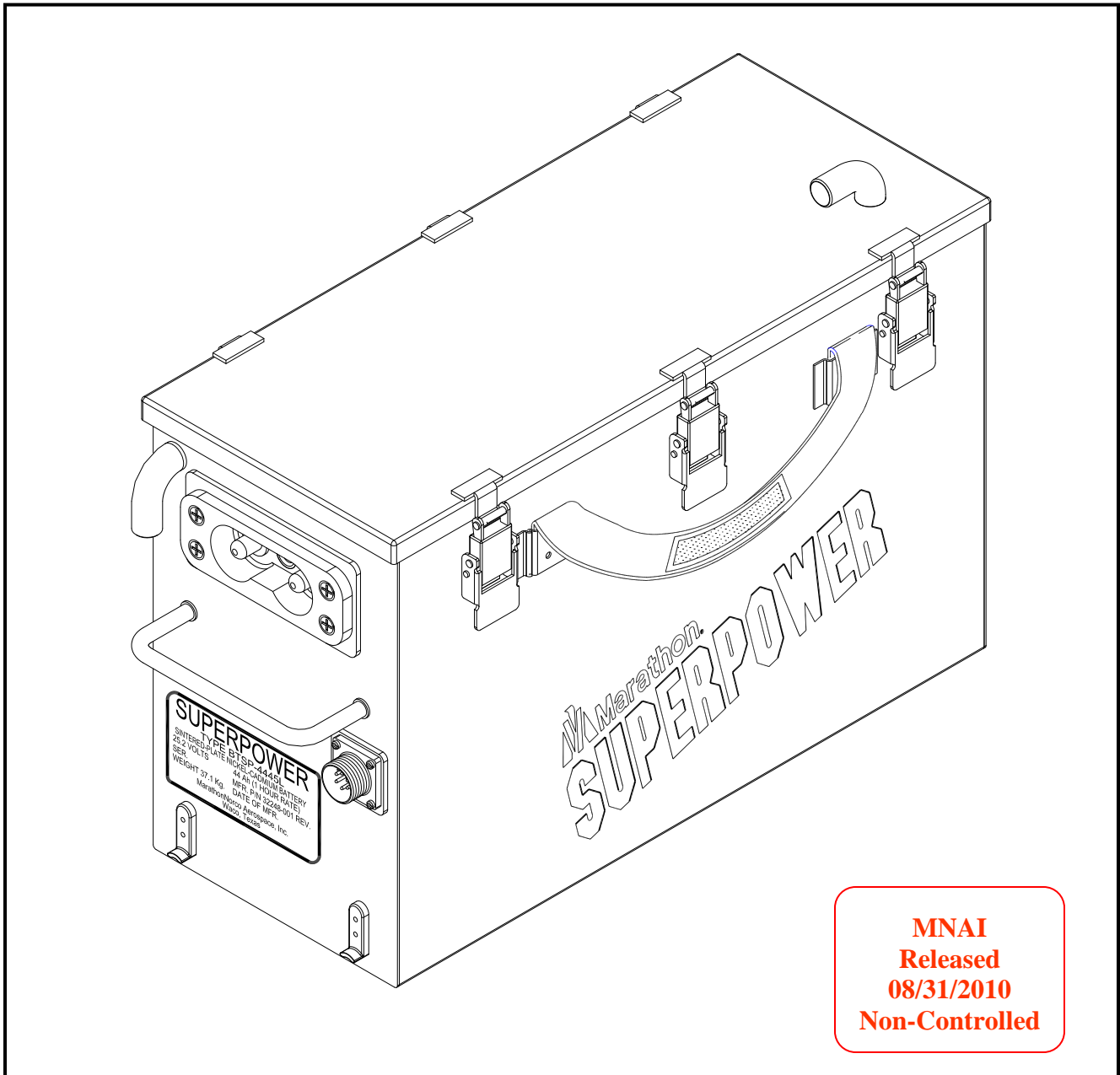




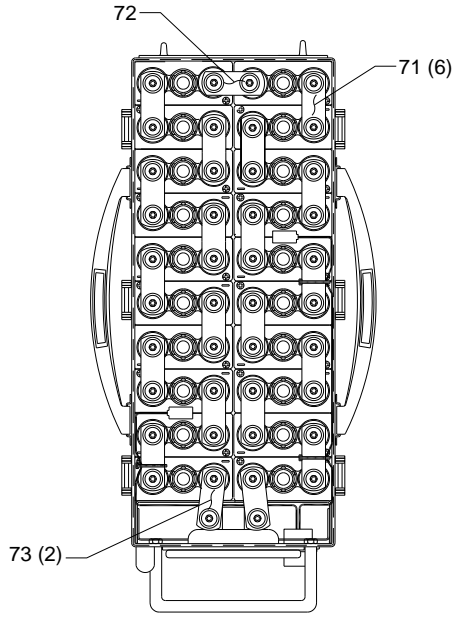
Nickel-Cadmium Aircraft Batteries

Model BTSP-4445L Battery Replacement Parts

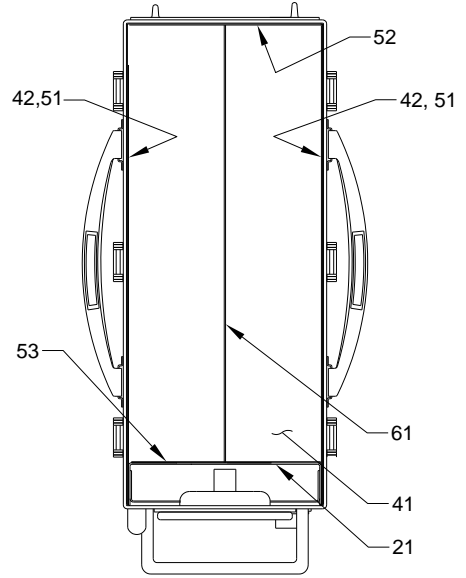


MarathonNorco Aerospace

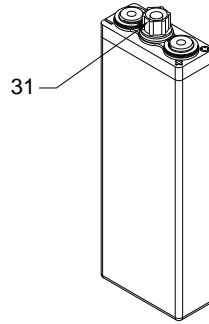
PO Box 8233, Waco, Texas 76714-8233
8301 Imperial Dr., Waco, Texas 76712
Phone (254) 776-0650 / Fax (254) 776-6558



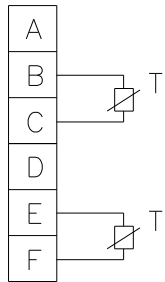
70 REF.
DETAIL A



20-60 REF.
DETAIL B



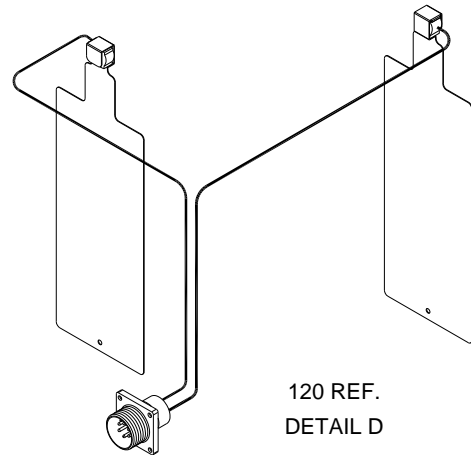
30 REF.
DETAIL C



MS3102R-14S-6P

SCHEMATIC

T UNI-CURVE TABLE		
TEMPERATURE		RESISTANCE
°C	°F	(OHMS)
-40	-40	1,204,600
-30	-22	619,200
-20	-4	331,030
-10	14	183,560
0	32	105,310
10	50	62,354
20	68	38,022
25	77	30,000
30	86	23,827
40	104	15,314
50	122	10,077.1
60	140	6,777.1
70	158	4,650.5



120 REF.
DETAIL D

MarathonNorco Aerospace

PO Box 8233, Waco, Texas 76714-8233
8301 Imperial Dr., Waco, Texas 76712
Phone (254) 776-0650 / Fax (254) 776-6558

ILLUSTRATED PARTS LIST

Figure item	Part Number	Nomenclature	Units Per Assy
-1	32248-001	BATTERY, BTSP-4445L 20-44SP100 NI-CD	RF
10	40473-002	CAN ASSEMBLY, MARKED	1
11	16065-012	DUST CAP, VENT (RBF)	2
12	32279-001	HANDLE	1
13	16128-001	WASHER, BELLEVILLE	2
14	26873-001	SCREW, HEX HD.	2
15	18100-062	WASHER, FLAT	2
-20		SPACER ASSEMBLIES	
21	32281-001	SPACER ASSEMBLY	1
-30	31004-04C	CELL ASSEMBLY, 44SP100	20
31	16934-001	FILLER CAP ASSEMBLY	20
-40		LINERS	RF
41	32283-001	LINER, BOTTOM	1
42	32282-001	LINER, SIDE	2
-50		SHIMS	RF
51	9988-188	SHIM	2
52	9988-064	SHIM	1
53	9988-310	SHIM	1
-60		BARRIERS	RF
61	32328-001	BARRIER	1
-70		CONNECTORS	RF
71	16102-131	CONNECTOR	18
72	16102-187	CONNECTOR	1
73	16102-204	CONNECTOR	2
90	30877-002	SCREW SEMS INT TORX DRIVE	42
100	40474-001	COVER ASSEMBLY, MARKED	1
110	16163-023	RECEPTACLE ASSEMBLY	1
111	24583-001	RING, RECTANGULAR	1
112	23084-001	SCREW, FL.HD. SEMS	4
113	26916-004	DUST CAP (RBF)	1
120	29529-003	TEMP SENSOR ASSEMBLY & PLATES	1
124	29247-001	CABLE TIE	3
125	15940-028	SCREW, FILLISTER HD.	4
126	6560-006	WASHER, LOCK	4

**-ITEM NOT ILLUSTRATED
(RBF) REMOVE BEFORE FLIGHT**



PO Box 8233, Waco, Texas 76714-8233
8301 Imperial Dr., Waco, Texas 76712
Phone (254) 776-0650 / Fax (254) 776-6558