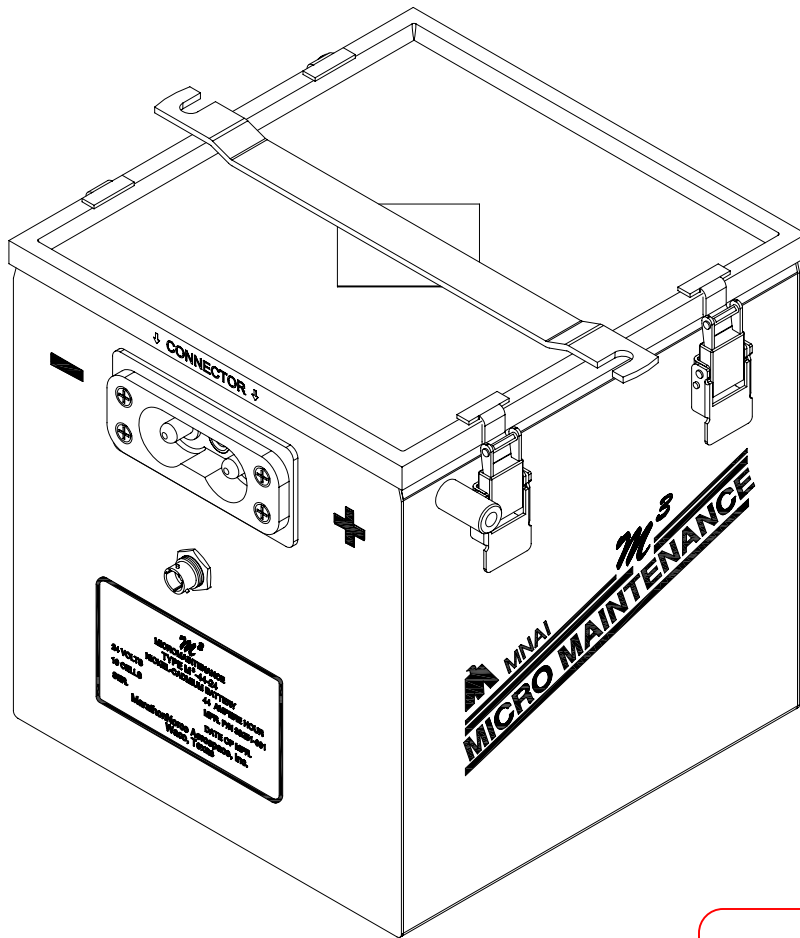




## Nickel-Cadmium Aircraft Batteries

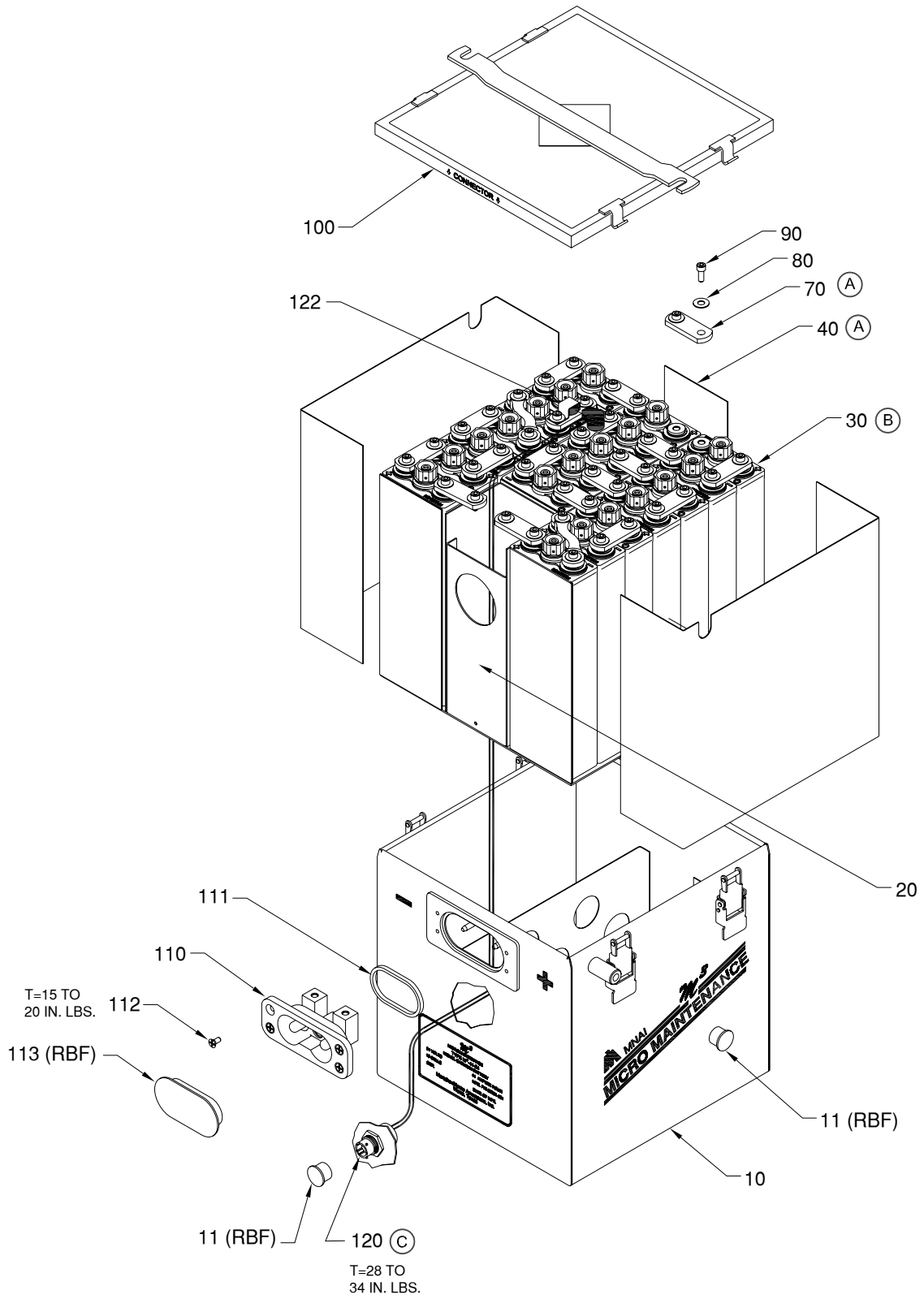
Model M<sup>3</sup>-44-24 Battery Replacement Parts



**MNAI  
Released  
4/9/07  
Non-Controlled**

**MarathonNorco Aerospace**

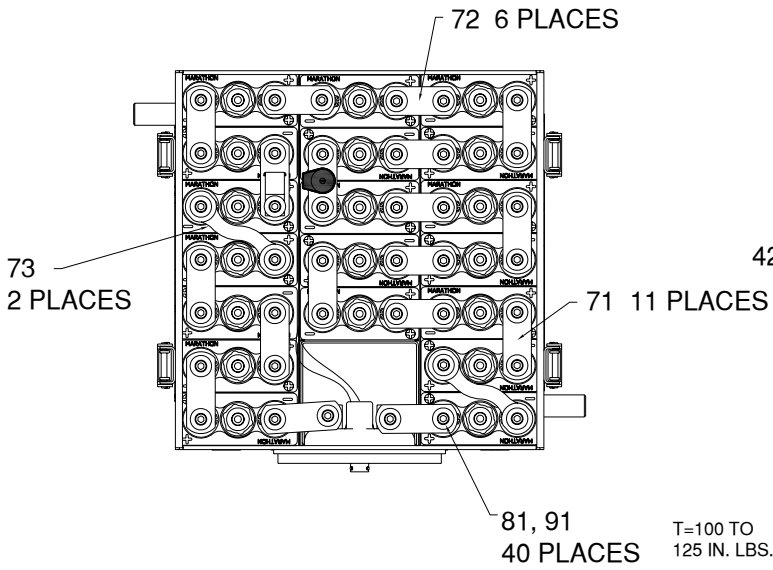
PO Box 8233, Waco, Texas 76714-8233  
8301 Imperial Dr., Waco, Texas 76712  
Phone (254) 776-0650 / Fax (254) 776-6558



T=TORQUE (IN. LBS.)  
EXPLODED VIEW

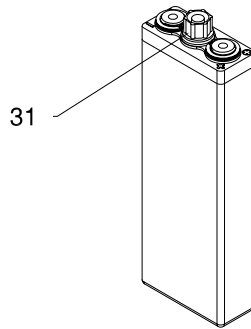
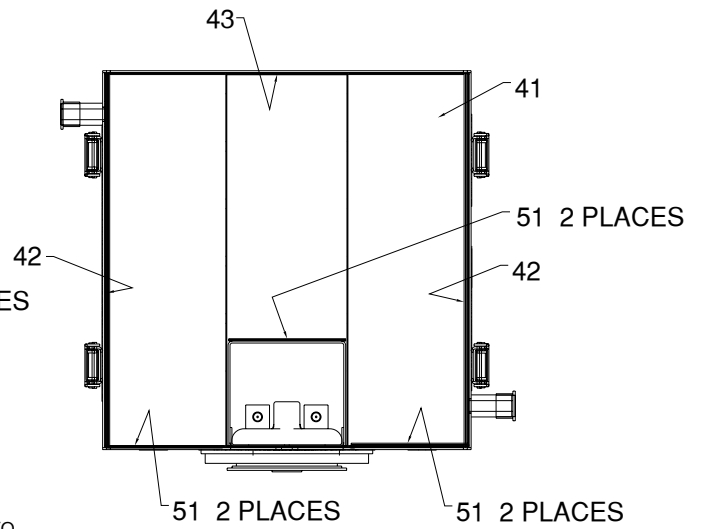
**MarathonNorco Aerospace**  
 PO Box 8233, Waco, Texas 76714-8233  
 8301 Imperial Dr., Waco, Texas 76712  
 Phone (254) 776-0650 / Fax (254) 776-6558  
 Page 2

IPL-1050

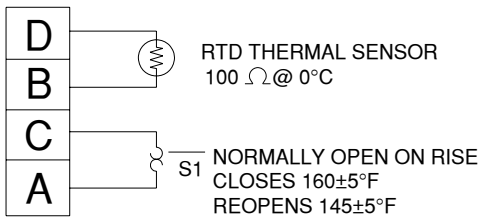


T=100 TO  
125 IN. LBS.

40-90 REF.  
T=TORQUE (IN. LBS.)  
DETAIL A

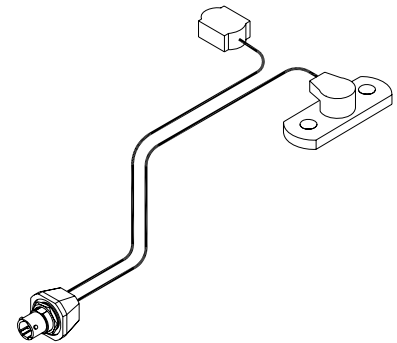


DETAIL B  
30 REF.



MS3114P8-4P

SCHEMATIC



120 REF.  
T=TORQUE (IN. LBS.)  
DETAIL C

**MarathonNorco Aerospace**

PO Box 8233, Waco, Texas 76714-8233  
8301 Imperial Dr., Waco, Texas 76712  
Phone (254) 776-0650 / Fax (254) 776-6558

## ILLUSTRATED PARTS LIST

Figure item	Part Number	Nomenclature	Units Per Assy
-1	33250-001	BATTERY, M <sup>3</sup> -44-24 19-44M <sup>3</sup> 120 NI-CD	1
-10	40622-001	CAN ASSEMBLY, MARKED	1
-11	16065-012	DUST CAP <b>(RBF)</b>	3
-20	32852-002	SPACER	1
-30	32637-001	CELL ASSEMBLY,44M <sup>3</sup> 120	19
31	16934-009	ASSEMBLY, FILLER CAP & VENT	19
-40		LINERS	
41	32194-003	LINER, BOTTOM	1
42	32194-002	LINER, SIDE	2
43	32194-004	LINER, CENTER	1
-50		SHIMS	
51	9988-209	SHIM	6
-60		BARRIERS	
-70		CONNECTORS	
71	16102-135	CONNECTOR	11
72	16102-160	CONNECTOR	6
73	16167-006	CONNECTOR,S	2
-80		WASHERS	
81	16128-034	BELLEVILLE WASHER	40
-90		SCREWS & NUTS	
91	10488-011	SCREW, SOCKET HD. CAP	40
-100	40273-002	ASSEMBLY, COVER MARKED	1
-110	16163-023	ASSEMBLY RECEPTACLE	1
-111	24583-001	RING, RECTANGULAR	1
-112	23084-001	SCREW, FL.HD. SEMS	4
-113	26916-006	COVER, INSULATOR M <sup>3</sup> <b>(RBF)</b>	1
-120	32470-001	ASSEMBLY, HARNESS	1
-121	29247-001	CABLE TIE NYLON	1
-122	29553-001	CLAMP, HOLD DOWN	1

**RBF - REMOVE BEFORE FLIGHT**



PO Box 8233, Waco, Texas 76714-8233  
8301 Imperial Dr., Waco, Texas 76712  
Phone (254) 776-0650 / Fax (254) 776-6558

IPL-1050