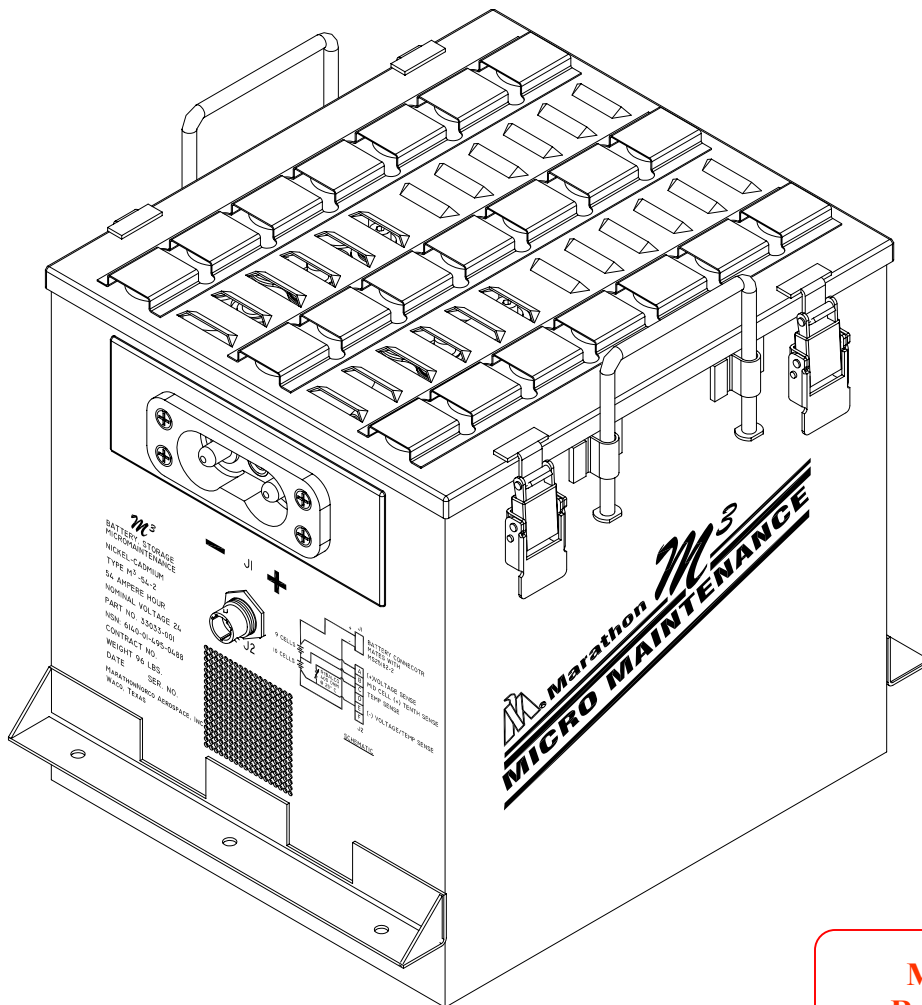




Nickel-Cadmium Aircraft Batteries

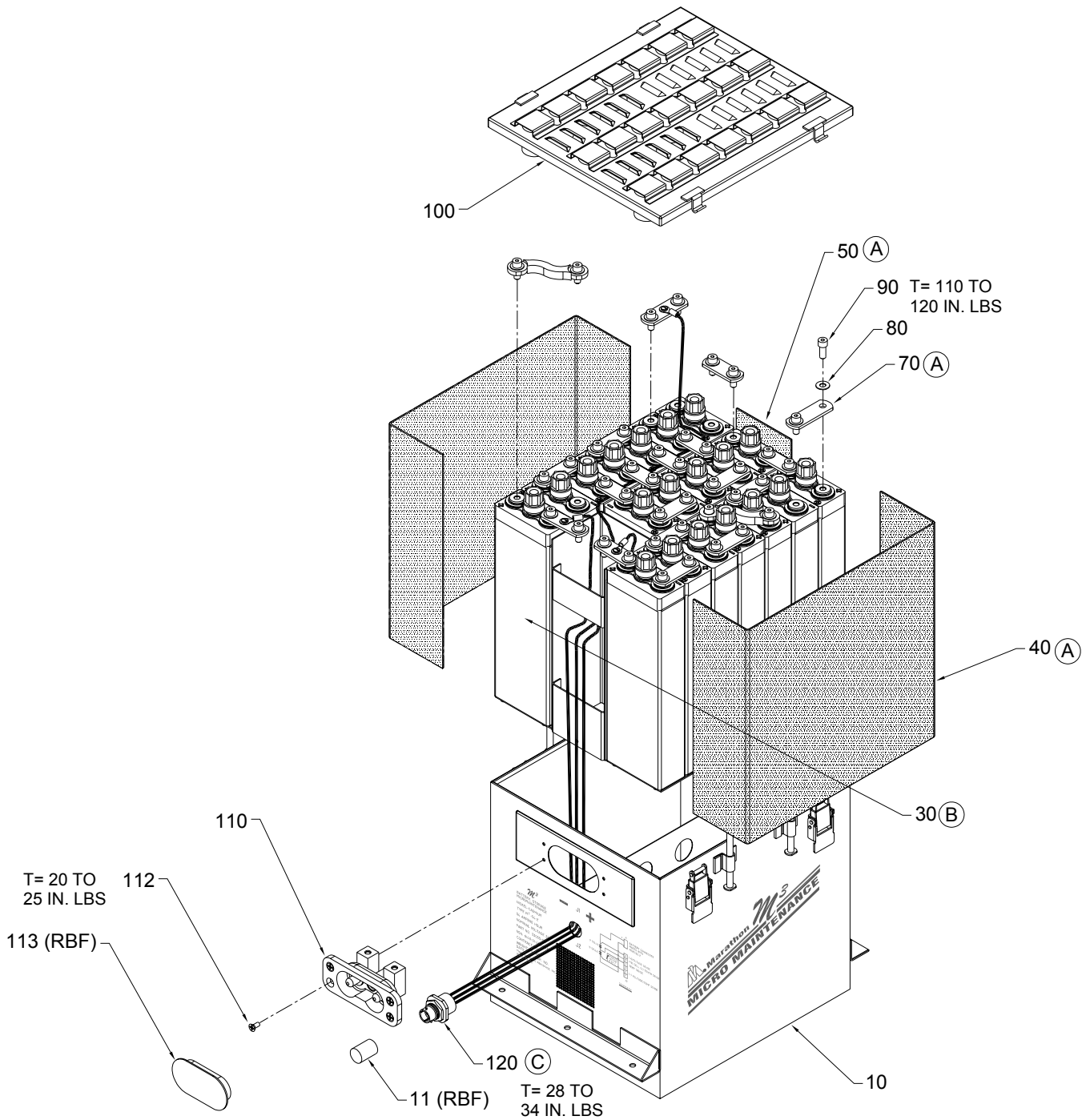
Model M³-54-2 Battery Replacement Parts



**MNAI
Released
Non-Controlled**

MarathonNorco Aerospace

PO Box 8233, Waco, Texas 76714-8233
8301 Imperial Dr., Waco, Texas 76712
Phone (254) 776-0650 / Fax (254) 776-6558

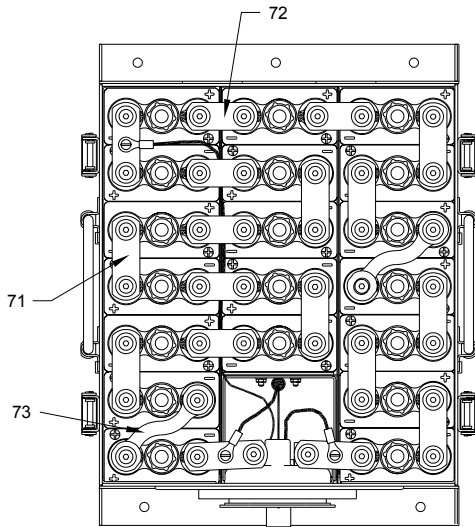


T=TORQUE (IN. LBS.)
EXPLODED VIEW

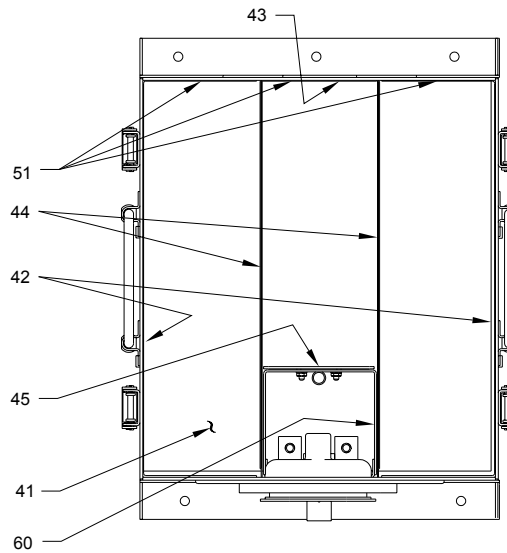
MarathonNorco Aerospace

PO Box 8233, Waco, Texas 76714-8233
8301 Imperial Dr., Waco, Texas 76712
Phone (254) 776-0650 / Fax (254) 776-6558

IPL-1029

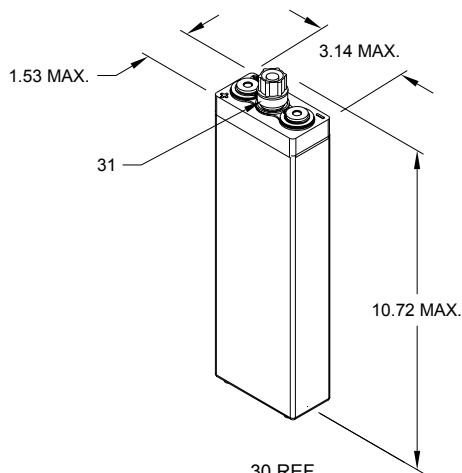


BATTERY POLARITY LAYOUT

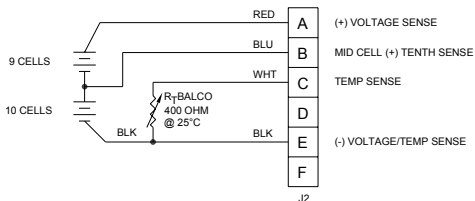


LINERS, SHIMS & SPACER

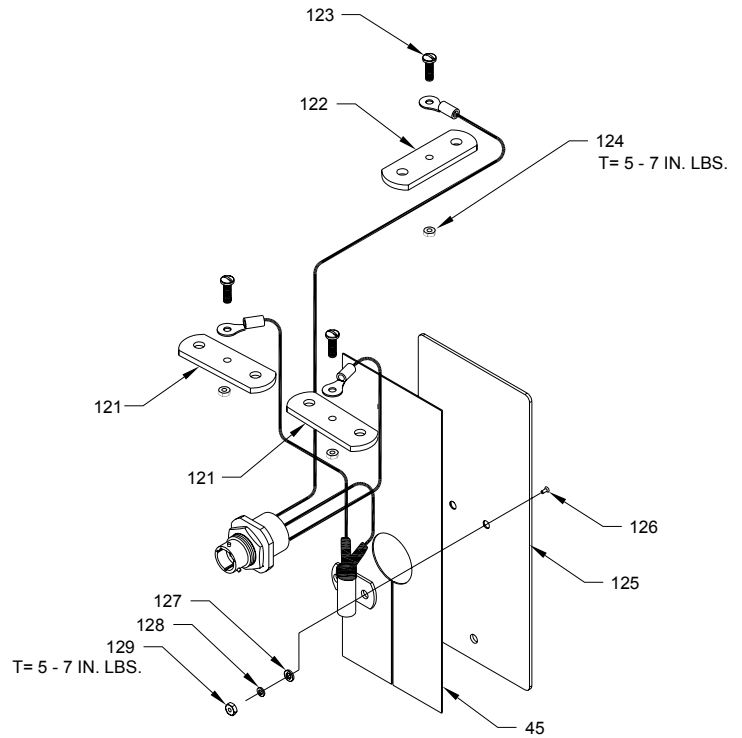
DETAIL A
40-70 REF.



30 REF.
DETAIL B



SCHEMATIC



120 REF
T=TORQUE (IN. LBS.)
DETAIL C

ILLUSTRATED PARTS LIST

Figure item	Part Number	Nomenclature	Units Per Assy
1	33033-001	BATTERY, M ³ -54-2 19-54M ³ 120 (33034-001)	1
10	40594-001	CAN ASSY, MARKED	1
11	15766-007	DUST CAP (RBF)	1
30	32966-001	CELL ASSEMBLY, 54M ³ 120 (32967-001)	19
31	30927-001	FILLER CAP ASSEMBLY & VENT	19
-40		LINERS	
41	32695-001	LINER, BOTTOM	1
42	32695-003	LINER, SIDE	2
43	32695-002	LINER, END CENTER	1
44	32695-005	LINER, CENTER SIDE	2
45	32695-004	LINER, CENTER FRONT	1
-50		SHIMS	
51	9988-320	SHIM, END 3 1/8 x 9 1/8 x .031	3
-60	32910-001	ASSEMBLY, SPACER	1
-70		CONNECTORS	
71	16102-217	CONNECTOR	9
72	10371-005	CONNECTOR	6
73	16167-005	CONNECTOR	2
80	16128-034	BELLEVILLE WASHER	40
90	10488-011	SCREW, SOCKET HD. CAP 1/4-28 x 9/16	40
100	32646-002	ASSEMBLY, COVER LINED	1
110	16163-026	ASSEMBLY RECEPTACLE	1
112	23084-001	SCREW, FL.HD. SEMS 8-32 x 3/8	4
113	26916-006	COVER, INSULATOR M ³ (RBF)	1
120	33079-001	ASSEMBLY, HARNESS	1
121	* 28847-060	CONNECTOR	2
122	* 28847-061	CONNECTOR	1
123	* 9954-001	SCREW 6-32 x .375 LG.	3
124	* 15013-009	NUT, ESNA	3
125	32706-001	PLATE THERMOSTAT	1
126	296-2349200100	SCREW FLAT HD 6-32 x 5/16 LG	2
127	18100-018	WASHER FLAT #6	2
128	6560-002	WASHER LOCK #6	2
129	15111-035	NUT, HEX 6-32	2

RBF - REMOVE BEFORE FLIGHT

*** ITEMS 121 THRU 124 ARE SUPPLIED WITH HARNESS ASSEMBLY 33079-001**



PO Box 8233, Waco, Texas 76714-8233
8301 Imperial Dr., Waco, Texas 76712
Phone (254) 776-0650 / Fax (254) 776-6558

IPL-1029